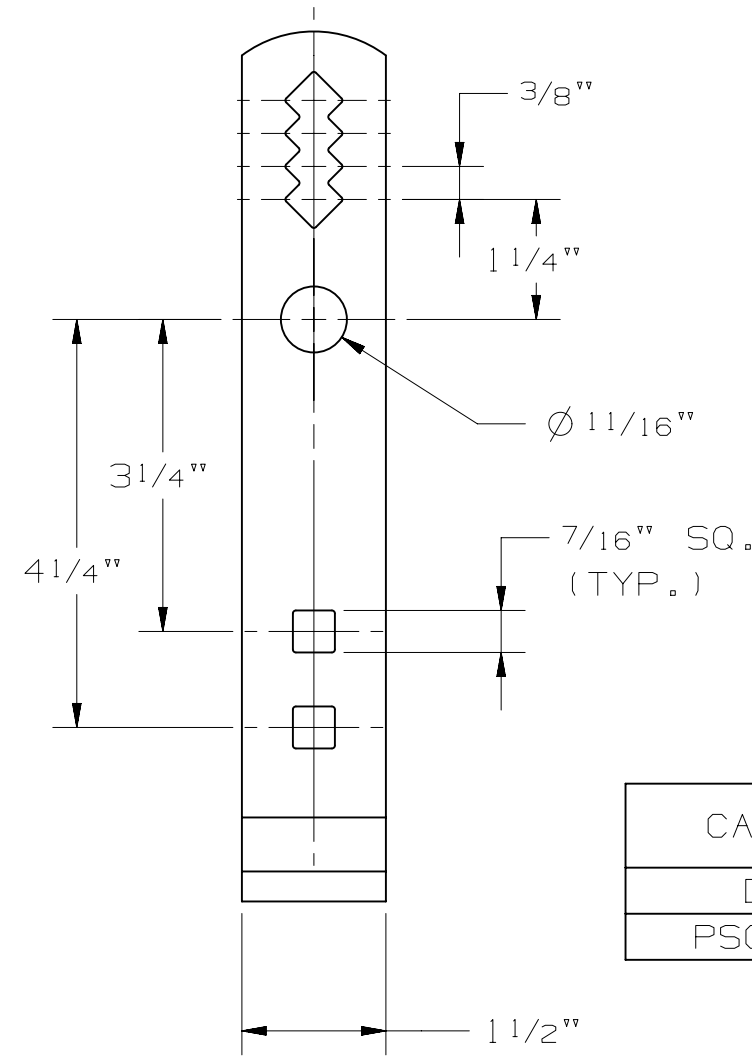
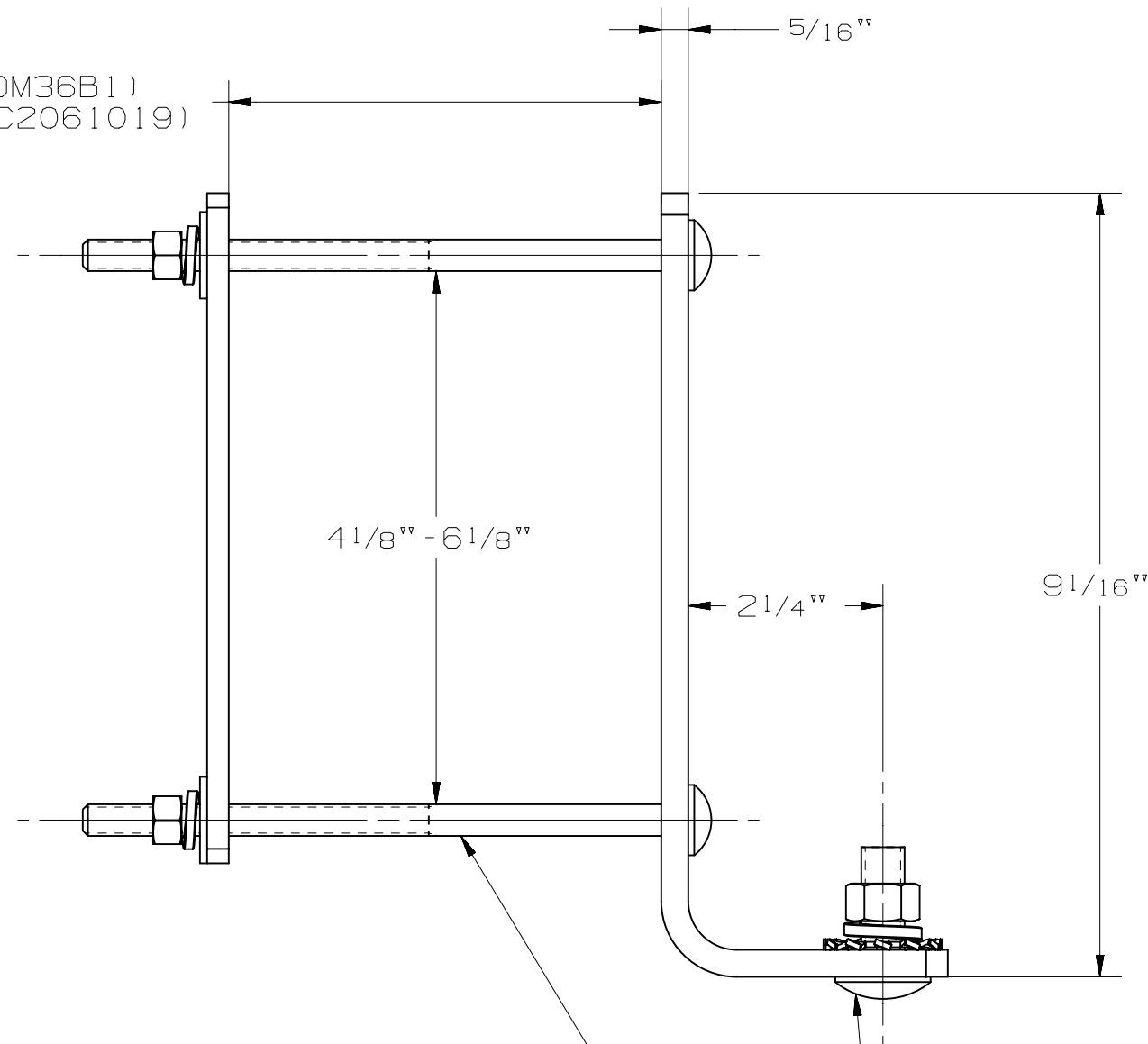


NOTE :

1.) MATERIAL: STEEL, HOT DIP GALVANIZED PER ASTM A153 (LATEST REVISION).



CATALOG #	"A"
DM36B1	7"
PSC2061019	8"

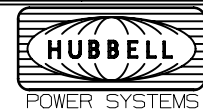
27/16" - 6" (DM36B1)
4" - 6 1/4" (PSC2061019)

4 1/8" - 6 1/8"

3/8-16UNC-2A X "A" CARRIAGE BOLTS WITH HEX NUTS, LOCKWASHERS, AND ROUND WASHERS.

1/2-13UNC-2A X 1-1/2" CARRIAGE BOLT WITH HEX NUT, LOCKWASHER, AND EXTERNAL TOOTH LOCKWASHER.

LATEST EC NO:	REV.	DATE	CHANGED BY	RESP ENGINEER
---	A	10/27/14	WILSON	WILSON
DRN BY: DATE			TITLE:	
BERGER		08-24-12	CUTOUT/ARRESTER MOUNTING BRACKET	
DO NOT SCALE THIS DWG		THIRD ANGLE PROJECTION		
		ISO DUAL DIMENSIONS IN=INCH, MM=MILLIMETER		
				SIZE B



DWG NO: SADM36B1

CONFIDENTIAL: THIS DRAWING AND ITS CONTENTS ARE CONFIDENTIAL AND THE EXCLUSIVE PROPERTY OF HUBBELL / A.B. CHANCE COMPANY. NO PUBLICATION, DISTRIBUTION OR COPIES MAY BE MADE WITHOUT WRITTEN CONSENT BY HUBBELL / A.B. CHANCE COMPANY. © 2001 HUBBELL/A.B. CHANCE. UNPUBLISHED - ALL RIGHTS RESERVED UNDER THE COPYRIGHT LAWS